

NITRODOSE® G3 SERVODOSER®

Introducing the latest advancements in liquid nitrogen dosing

Liquid Nitrogen Dosing System

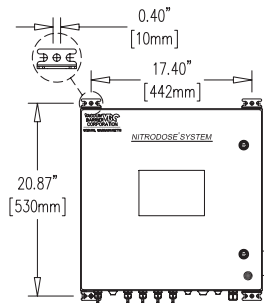
The highest level of control in liquid nitrogen dosing. Superior performance and durability with powerful control systems precisely delivering low-pressure liquid nitrogen at line speeds up to 2000 CPM.

Features unique to Servodoser:

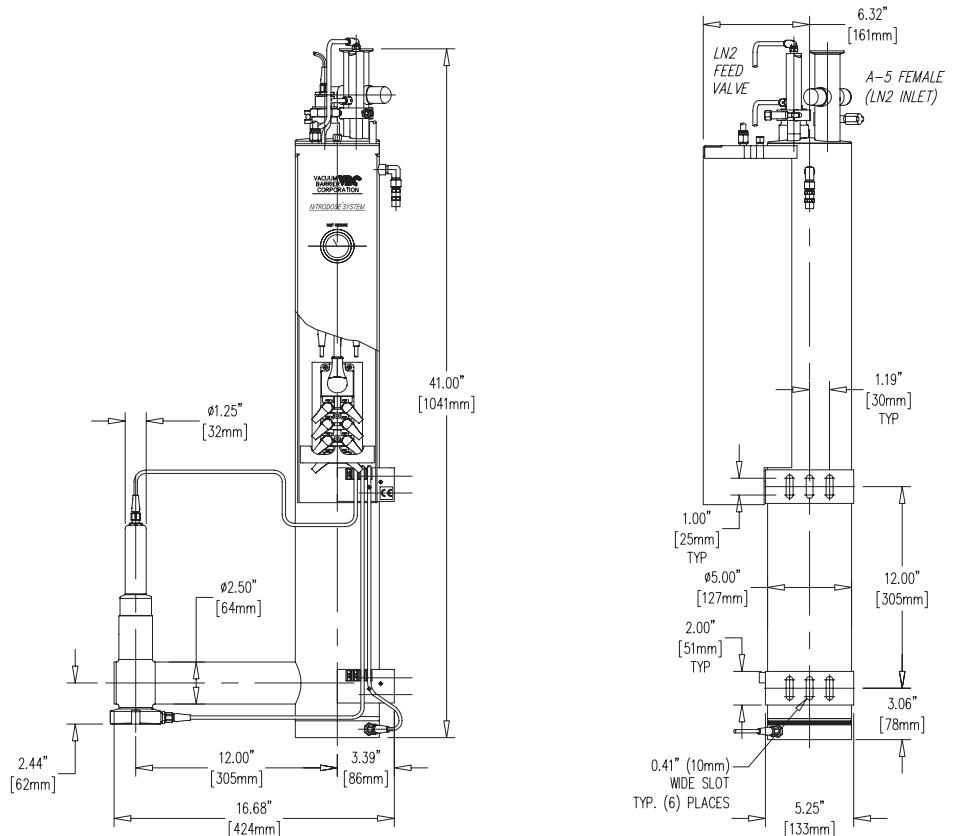
- Adjustable flow rate during discrete and continuous dosing without a nozzle change
- Accuracy of dose weight +/- 1%
- Lowest minimum dose duration
- Self-generating N₂ purge
- Long-life servo actuator
- Remote activated rapid warm-up through HMI
- Optional independent overflow detection

Since 1958

Control panels



Doser views



Features	NITRODOSE® G3 SERVODOSER®
Maximum Discrete Dosing Speed (CPM)	2000
Dosing Stem Metering	discrete and steady stream dosing
Continuous Stream Capabilities	std
Allen Bradley PLC	Micro 850
Siemens PLC	S7-1200
AB Panelview Component 800, 7" Touchscreen HMI	color
Siemens KTP 700, 7" Touchscreen HMI	color
Minimum Dose Duration (enhanced resolution)	4.0 ms
Smartsync Technology	std
Accuracy by Dose Weight	+/- 1%
Real-Time Graphical User Interface (GUI)	std
Speed & Dose Compensation	std
Recipe Storage	std
Five On-Board Languages	std
Continually Self-Monitored for Alarm Conditions	std
Number of Built-In Alarm Relays	4
Maximum Direct LN ₂ Feed Pressure, psi (bar)	125 (8.6)
Required Air Pressure, psi (bar)	50 - 100 (3.4 - 6.9)
Remote Activated Warm-Up Feature through HMI	std
Long-Life Servo Actuator	std
Clean Hygienic Design	std
Lowest Dosing Pressure	0.3 psi (0.02 bar)
Self-Generating N ₂ Purge	std
Sub-Cooled LN ₂ to Improve Dosing Accuracy	std
Remote Dosing Initiation	std
Automatic CIP Protection	opt
Directional Dose Dispersion Blocks	opt
Independent Overflow Detection	opt
Dosing Software for In-Line Fillers/Cappers	opt

4-year warranty on all systems.