

EasyDose G3 Lite, G3, and G3 Plus

Introducing the latest advancements in liquid nitrogen dosing

Liquid Nitrogen Dosing System

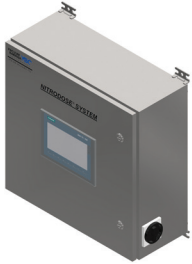
Liquid nitrogen dosing systems named for their simplicity of installation and operation, with a system available to meet line speeds from 450 to 2000 CPM.

Features standard to both models:

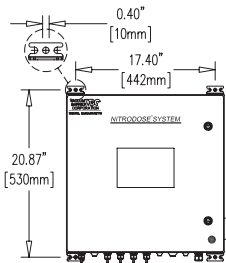
- Accurate to +/- 3% dose weight
- Maximum direct LN₂ feed pressure, 22 psi (1.5 bar)
- High cycle life electric dosing valve
- Self-generating N₂ purge
- Sub-cooled LN₂ to improve dose accuracy
- Optional CIP protection

Since 1958

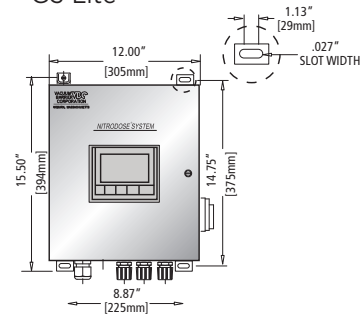
Control panels



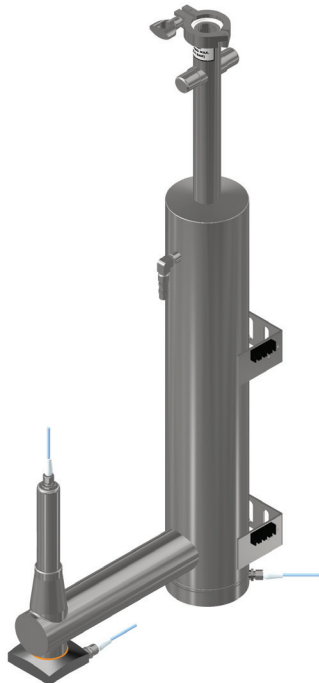
G3 and G3 Plus



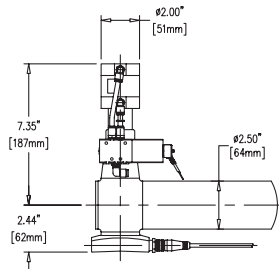
G3 Lite



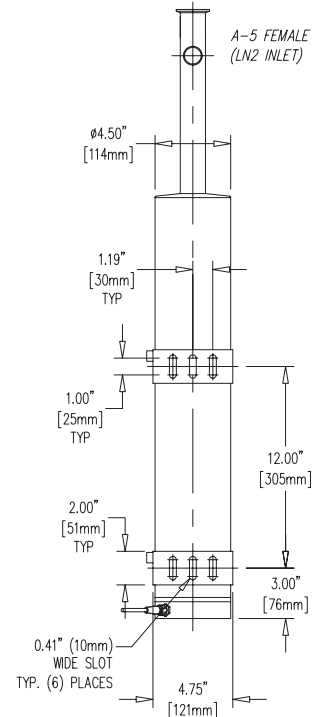
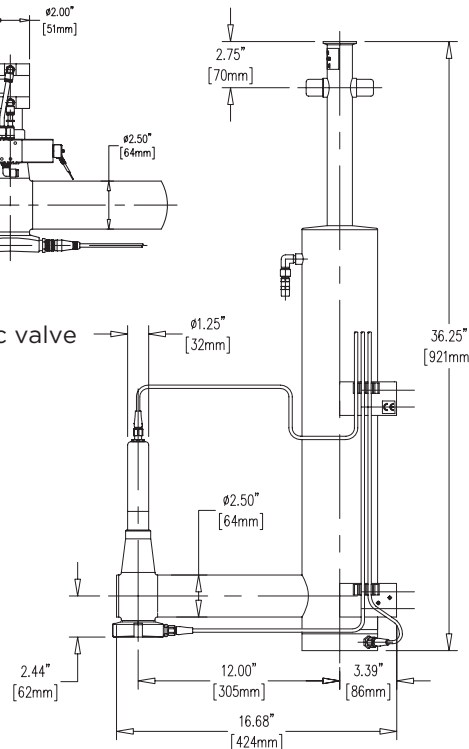
Doser views



Pneumatic valve



Electric valve



Features	EasyDose G3 Lite	EasyDose G3	EasyDose G3 Plus
Maximum Discrete Dosing Speed (CPM)	450	450	2000
Continuous Stream Capabilities		std	std
Allen Bradley PLC		Micro 850	Micro 850
Siemens PLC	S7-1200	S7-1200	S7-1200
AB Panelview Component 800, 7" Touchscreen HMI		color	color
Siemens KTP 700, 7" Touchscreen HMI	color (4")	color	color
Minimum Dose Duration (enhanced resolution)	25.0 ms	25.0 ms	6.0 ms
Smartsync Technology		std	std
Accuracy by Dose Weight	+/- 3%	+/- 3%	+/- 3%
Real-Time Graphical User Interface (GUI)	std	std	std
Speed & Dose Compensation	speed only	std	std
Recipe Storage		std	std
Five On-Board Languages	universal symbols	std	std
Continually Self-Monitored for Alarm Conditions	std	std	std
Number of Built-In Alarm Relays		2	2
Maximum Direct LN ₂ Feed Pressure, psi (bar)	22 (1.5)	22 (1.5)	22 (1.5)
Electronic dosing valve	std	std	std
Low-Profile Pneumatic Valve to Fit Confined Spaces	opt	opt	
Clean Hygienic Design	std	std	std
Lowest Dosing Pressure	0.3 psi (0.02 bar)	0.3 psi (0.02 bar)	0.3 psi (0.02 bar)
Self-Generating N ₂ Purge	std	std	std
Sub-Cooled LN ₂ to Improve Dosing Accuracy	std	std	std
Automatic CIP Protection	opt	opt	opt
Directional Dose Dispersion Blocks		opt	opt
Dosing Software for In-Line Fillers/Cappers	opt	opt	opt

4-year warranty on all systems.



4 Barten Lane, Woburn, MA 01801
T 781 933 3570 | F 781 932 9428
sales@vacuumbarrier.com
vacuumbarrier.com