



PHARMACEUTICAL METAL DETECTOR

E-Z TEC®

Eriez' exclusive standard solid state electronics will streamline protocols, validation and employee training



FEATURES

- 5-minute quick-start operation
- High speed reject device
- Simplified equipment validation

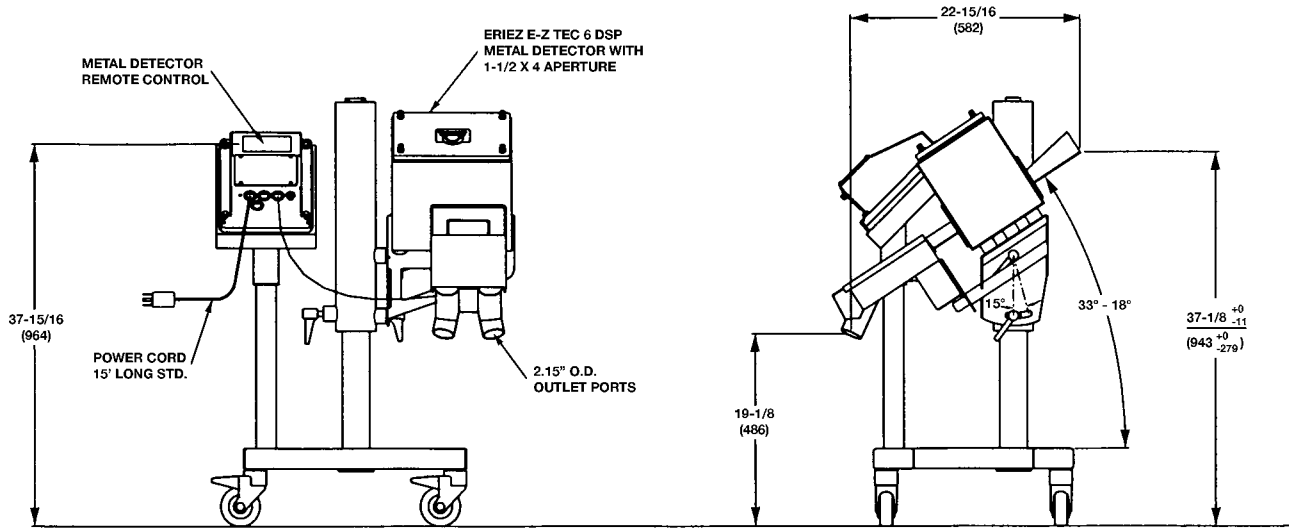
ONLY FROM ERIEZ

Eriez' E-Z Tec® Pharmaceutical Gravity-Fed Metal Detector has been designed for the detection and removal of minute pieces of ferrous, nonferrous and stainless steel contaminants.

This highly sensitive, compact designed metal detector system meets stringent FDA standards and accommodates space-restricted areas within tablet and encapsulation rooms.

Eriez' pharmaceutical unit has been engineered with an adjustable sensing head and has one of the largest and easiest to clean product chutes in the industry to optimize efficiency. The adjustable support stand is manufactured from 304 stainless steel and comes standard with a gas assist lift and castors.

SPECIFICATIONS



Sensing Head

- NEMA 4X/IP 66
- Glass bead or polished 304 stainless steel with an ABS liner

Weight (stand and sensing head)

- 250 lbs

Aperture

- .8 in. high x 3 in. wide or 1-1/2 in. high x 4 in. wide

Power Supply

- 120V/240V, 48-62 Hz

Electronics

- Crystal oscillator for drift-free frequency
- User-friendly phase and sensitivity adjustments

- Easily accessible and removable circuit boards
- Instantaneous recovery
- Unique electronics that eliminate auto balancing circuitry
- Self-check circuitry and calibration verification compatibility
- Operating temperature range from 0°C (32°F) to 50°C (122°F)
- Field-switchable narrow and wide zones for static environments

Reject Device Options

- Reject Gate with a high-speed solenoid

ADDITIONAL OPTIONS

- E-Z Link software for remote monitoring and control

Eriez and Eriez Magnetics are registered trademarks of Eriez Manufacturing Co., Erie, PA
©2006 Eriez Magnetics • All Rights Reserved

Web Site: <http://www.eriez.com>

e-mail: eriez@eriez.com

Telephone 814/835-6000 • 800/345-4946 • Fax 814/838-4960 • International Fax 814/833-3348

HEADQUARTERS: 2200 Asbury Road, P.O. Box 10608, Erie, PA 16514-0608 U.S.A.

MANUFACTURING: Australia • Brazil • China • India • Japan • Mexico • South Africa • United Kingdom • United States

World Authority in Advanced Technology for Magnetic, Vibratory and Metal Detection Applications

